

INSTALLATION INSTRUCTIONS

NUMBER PLATE RELOCATION BRACKET SUITABLE FOR 2018+ JEEP WRANGLER JL
(WITH OEM REVERSE CAMERA OPTION FITTED)



LED LAMP INCLUDED

ADR COMPLIANT SUBMERSIBLE LED LICENCE PLATE LAMP INCLUDED



2018+ JEEP WRANGLER JL SPECIFIC VEHICLE FITMENT

SUITS 2018+ JEEP WRANGLER JL WITH OEM REVERSE CAMERA OPTION



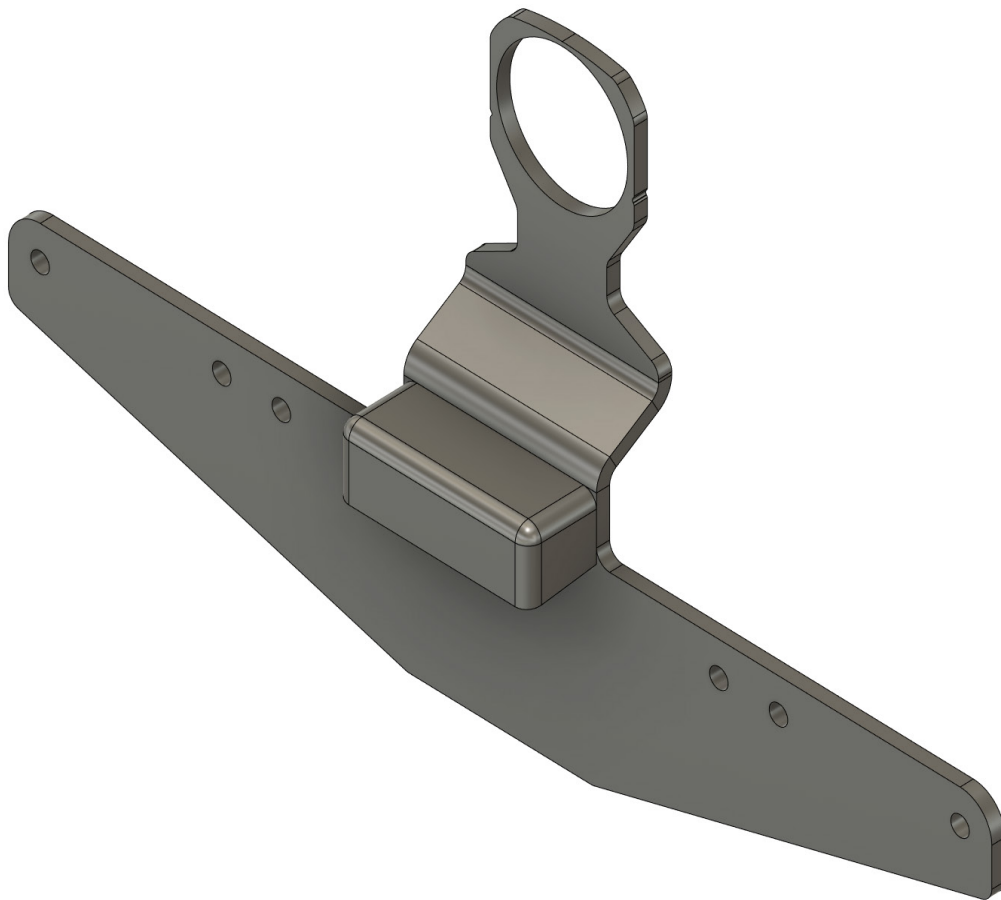
TESTED WITH 33" TYRES

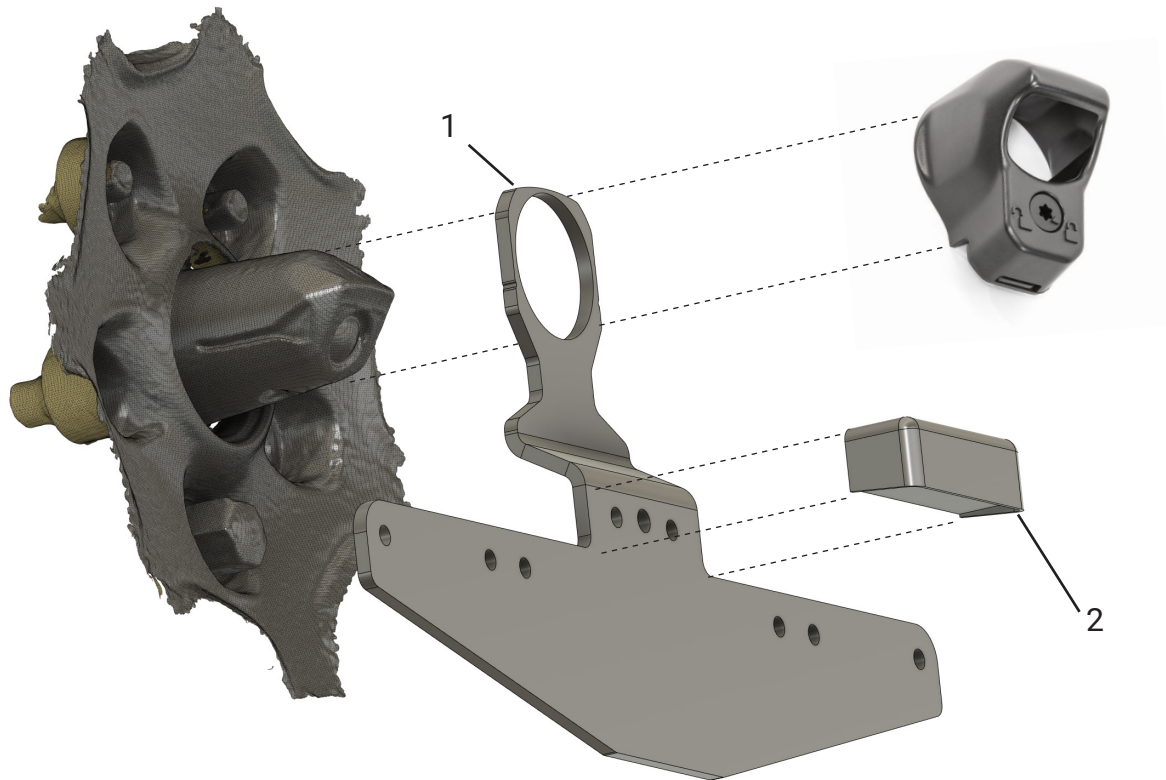
ADJUSTABLE BRACKET ALLOWS RIM OFFSETS AND TYRES UP TO AT LEAST 33"



AUSTRALIAN MADE

AUSTRALIAN MADE FROM POWDERCOATED 5MM ALUMINIUM PLATE





Note: Wheel and license plate not included. Shown for installation clarity.

COMPONENTS

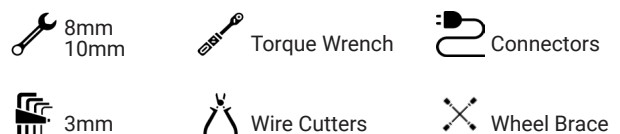
ITEM	PART NO.	DESCRIPTION	QTY.
1	TT-JLNPRB-NPBRK1	JL Number Plate Bracket	1
2	KT57150	Superior LED Licence Plate Lamp	1
3	KT57150	5mm Zinc Plated Spring Washer	2
4	KT57150	M5 - 0.8 Coarse Zinc Plated Nut	2
5	BHCSM516Z	M5 - 0.8 Coarse x 16mm Zinc Plated Button Head Screw	4
6	EFWM5Z	5mm Zinc Plated Flat Washer	4
7	NNM5	M5 - 0.8 Coarse Zinc Plated Nyloc Nut	4

TORQUE SETTINGS

M5 - 7Nm (5lb ft)
M6 - 9Nm (7lb ft)
M8 - 22Nm (16lb ft)
M10 - 44Nm (32lb ft)
M12 - 77Nm (57lb ft)

Note:
Follow manufacturer torque ratings for lug nuts and other vehicle specific mounting bolts.

TOOLS NEEDED



Wear ear and eye protection at all times when using power tools

WARRANTY

This Number Plate Relocation Bracket is warranted against defects in materials and workmanship for a period of twelve (12) months from the date of initial retail purchase. Do not use this bracket kit for anything other than it's intended purpose as a number plate holder. Failure to follow these instructions or if any modifications to the product are made will void all warranty claims. For ADR compliance, an ADR approved rear number plate light (supplied) must be fitted and operational.

For more information visit <https://www.tough toys.com.au/about-us/warranty-policy/>

IMPORTANT

The Tough Toys - Number Plate Relocation Bracket Suitable for 2018+ Jeep Wrangler JL allows you to position your number plate to the spare tyre carrier on your vehicle. This is required when fitting any aftermarket rear bumper to a 2018+ Jeep Wrangler JL.

Additional wiring and connectors are required to connect the included number plate lamp to the existing wiring of your vehicle.

Rear number plate lamp included is 12v only and ADR & ECE Compliant (48/00).

As of the publication date, these instructions are correct. Tough Brands Pty Ltd cannot be held responsible for the impact of any changes subsequently made by the vehicle or trailer manufacturer.

During installation, it is the duty of the installer to check the correct operation/clearances of all components.

Estimated installation time: 1hr.

PREPARATION

- 1 Unlock and remove the OEM Jeep Spare Tyre Camera Bezel from the camera housing on the spare wheel carrier.



TRIMMING

- 2 On the inside of the OEM Jeep Spare Tyre Camera Bezel, there are 3 locating tabs. Carefully trim approximately 5mm deep off each of the tabs using sharp wire cutters.

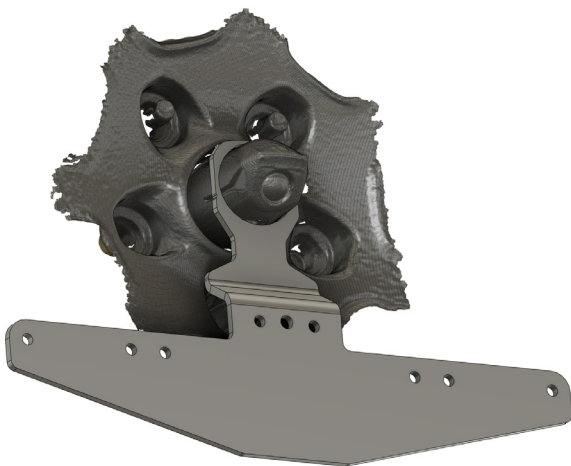
Make sure the JL Number Plate Bracket (1) locates flush inside the camera bezel.

Remove the double sided tape backing from the JL Number Plate Bracket (1) and press together making sure the flat area of plastic touches the tape fully.



NUMBER PLATE BRACKET

- 3 Install JL Number Plate Bracket (1) and OEM Camera Bezel assembly to the spare wheel carrier. Adjust bracket so it does not touch spare wheel or protrude out too far.

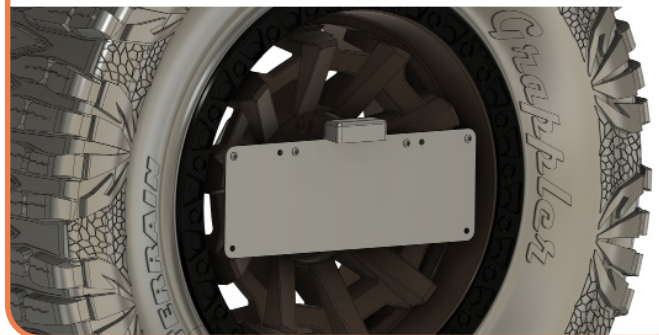


NUMBER PLATE & LAMP

- 4 Install Licence Plate Lamp (2) with Spring Washers (3) and Nuts (4) to Number Plate Mounting Bracket (3).

Use M5 Button Head Screws (5), Washers (6) and Nyloc Nuts (7) to install number plate to Number Plate Mounting Bracket (1).

Route new wiring for licence plate lamp through the tail light opening, into tailgate harness and out through tailgate grommet. Install a connector to allow future disconnection and removal of the number plate bracket.



FINISH

- 5 Check that all fasteners are tight and your wiring is not able to rub on any sharp edges. Make sure the camera bezel is locked. Turn on your headlights to test the operation of the Licence Plate Lamp (2). Refit any interior trims and items that were removed during the installation process.

Congratulations! You did it. Take a step back and admire your work.